



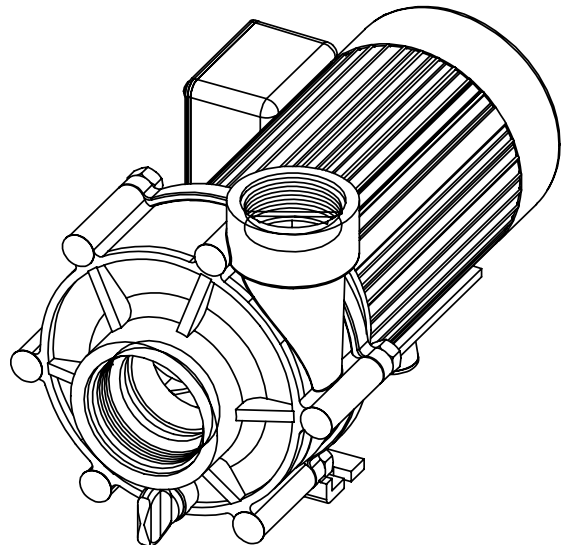
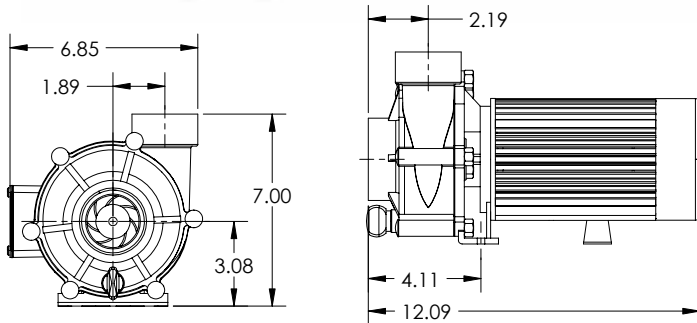
# SEQUEL King Fish 750



## King Fish Variable Speed

Unbeatable flow rates in a small powerful package. Suited for showcase water features, this is a pinnacle product for even the most demanding applications. The pump provides you with the flow for simple biological purification as well as artistic and showcase qualities of your water feature design. KingFish brings the power with a 3 phase motor and frequency control that gives you the ability to dial in your flow and run a complex filtration system.

Features – Compact design, showcase flow rates, utilitarian functions with higher efficiency. Plug and play simplicity. King-Fish presents today's water feature enthusiast an unmatched opportunity. Easy to install, safe to operate.



Flow At Total Dynamic Head

Model	Max Flow GPH	Max Head Feet	Max Power Watts	Max Current Amps	Flow	5'	10'	20'	30'	40'	Voltage	Motor Enclosure
Variable Speed (115 V)	6400	42	840	9.37	GPM	100	94	75	55	20	115	TEFC
Full Speed Flow					GPH	6000	5640	4500	3300	1200		
Variable Speed (230 V)	6840	46	980	7.32	GPM	106	97	78	55	27	230	TEFC
Full Speed Flow					GPH	6360	5820	4680	3300	1620		

Sequel™ ...NO equal

©2009 SEQUEL PUMPS A DIVISION OF MDM INC.

# KingFish 750: Variable Speed Performance

