



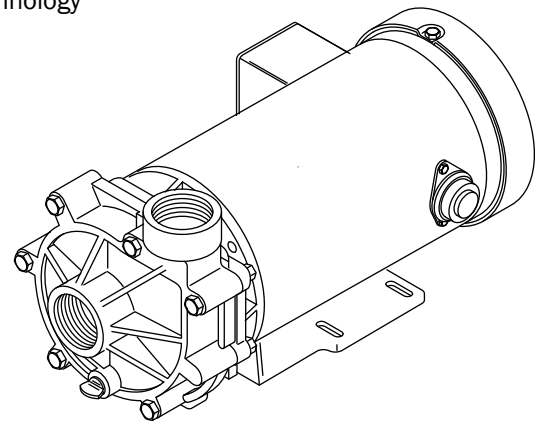
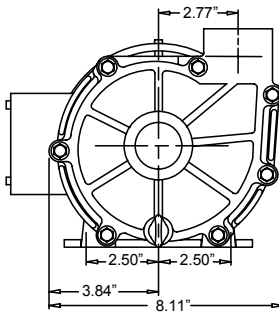
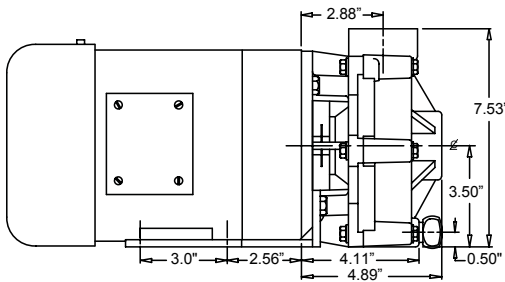
SEQUEL King Fish 1000



King Fish 1000 - Variable Speed

Finally a plug-and-play Variable Frequency Drive for target performances of 2500 to 9500 GPH. Unlike our competitors, there is no need to learn complex inverter drive software to operate your koi pond pump. With a drive interface that anyone can operate, it's no wonder the Sequel kingfish line leads the way in VFD pump technology!

- Increase system efficiency with the Kingfish by running lower frequencies when high flow and high pressure are not required!
- Eliminate poor filter backwashes (when compared to single speed pumps) with higher pressures provided by high-speed frequencies!
- Guarantee the health and longevity of your system with the Kingfish technology



Flow At Total Dynamic Head

Model	Max Flow GPH	Max Head Feet	Max Power Watts	Max Current Amps	Flow	10'	20'	30'	40'	50'	60'	Voltage	Motor Enclosure
Variable Speed (115 V)	9200	69	1630	17.5	GPM	143	132	120	106	88	63	115	TEFC
					GPH	8580	7920	7200	6360	5280	3780		
Variable Speed (230 V)	9200	69	1630	11.3	GPM	144	134	121	108	88	64	230	TEFC
					GPH	8640	8040	7260	6480	5280	3840		

Sequel™ ...NO equal

©2009 SEQUEL PUMPS A DIVISION OF MDM INC.

KingFish 1000: Variable Speed Performance

