



# SEQUEL

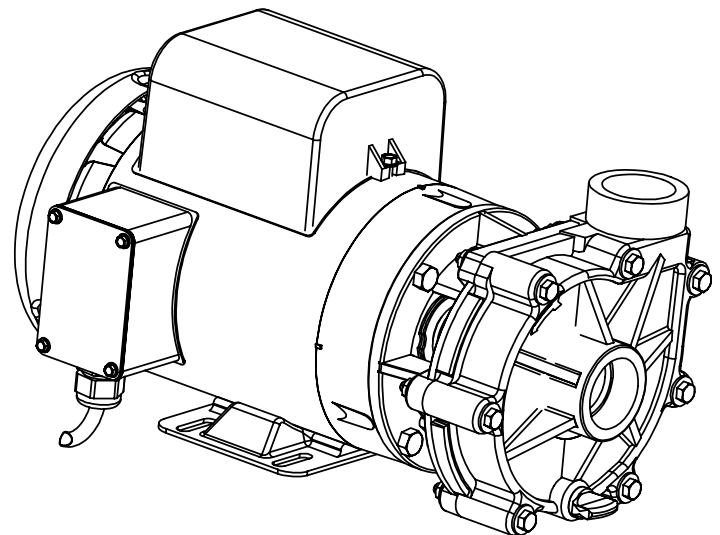
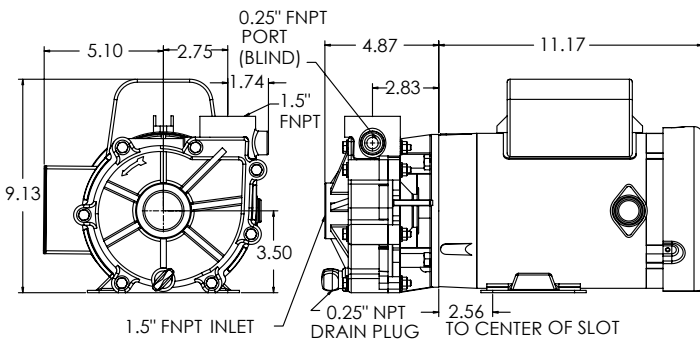
# Asagi



## Asagi - 1000 Series

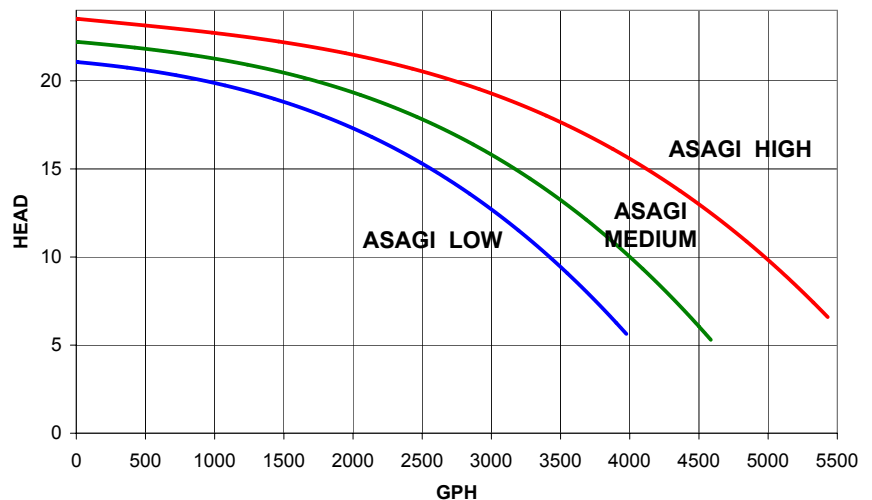
The people at Sequence® are on a never-ending quest for peak-efficiencies and premium-quality. Today, their latest efforts are captured in Sequel™.

Sequel™ is for those who understand what words like “premium-quality,” “peak-performance & efficiency” and “extensive-reliability” are supposed to mean. Sequel™ has been custom crafted for the artistic as well as the technically inclined. It is a premium product suited for the most exclusive of water-features. Sequel guarantees quality, performance, efficiency and reliability. Did we miss anything?



ASAGI FAMILY

Impeller	Low	Medium	High
List price	\$695.00		
Inlet	1.5" FNPT		
Discharge	1.5" FNPT		
Max flow, GPH	4600	5400	6500
Max head, Ft	21	22	23.5
Max Power Watts	272	318	380
Max Current, Amps	2.55	2.88	3.37
@ Volts	115		
Motor HP	1/3, 1/4, 1/6, 1/8		
Motor Enclosure	TEFC		
Impeller #	5	6	7
Weight	39 LBS		
Box Dimensions	18 1/8" x 10" x 9 7/8"		



\*Unit comes packaged with 3 Impellers. Medium has been Installed.



Proudly Made in the USA

## Sequel™ ...NO equal

©2008 SEQUEL PUMPS A DIVISION OF MDM INC.