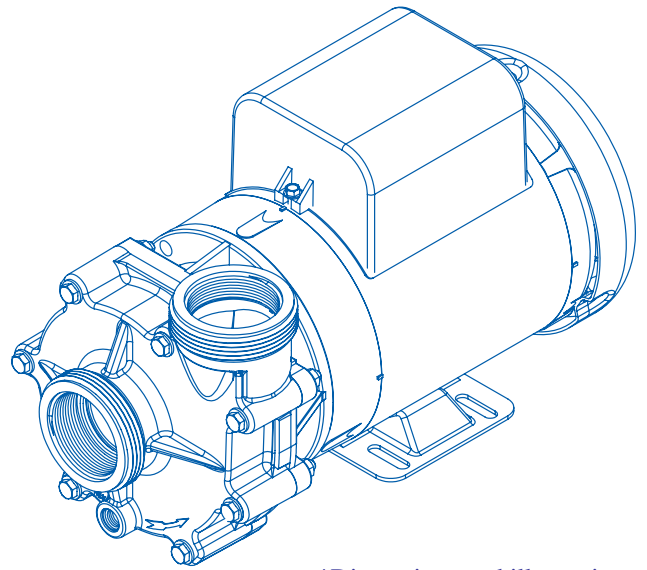
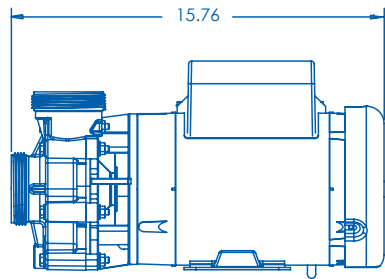
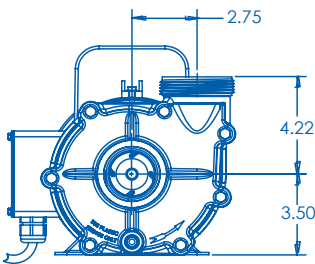


# SEQUENCE® 4000



## ■ 4000 Model 8800SEQ22

Introducing the NEW Sequence® 4000. The new expansive design will meet today's increased market demand for performance on all levels. Peak performance of 8800 Gallons Per Hour while only requiring 445 Watts! Every Sequence® 4000 model is supplied complete with 2" FNPT and buttress thread ports and unions for ease of use. 3 year limited warranty. Made in USA. **Supplied with an 8-foot, 115V cordset.**



\*Dimensions and illustrations are approximate and for reference only

Flow At Total Dynamic Head

Model	Max Flow GPH	Max Head Feet	Max Power Watts	Max Current Amps	Flow					Voltage	Motor Enclosure	
					4'	8'	12'	16'	20'			
8800SEQ22	8800	22	445	4.4	GPM	133	118	100	78	48	115	TEFC
					GPH	8000	7100	6000	4700	2900		

**Sustainable, Efficient**

© 2009 SEQUENCE PUMPS A DIVISION OF MDM INC.



 SEQUENCE 8800SEQ22

