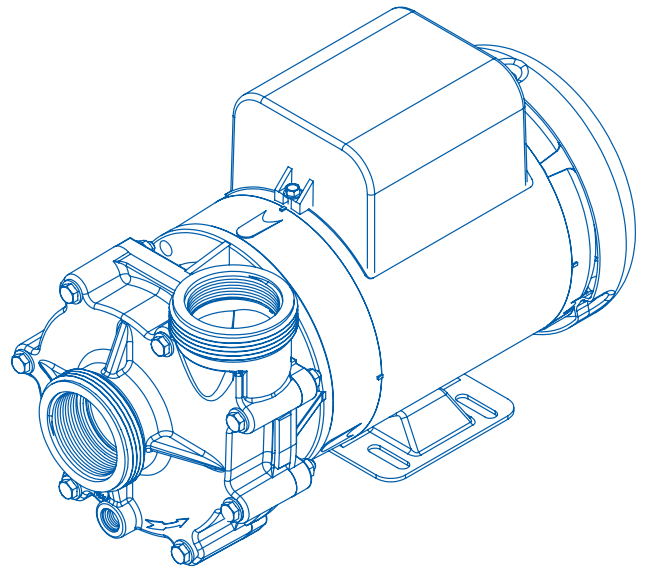
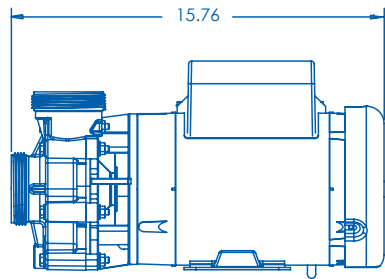
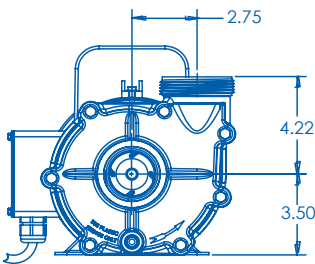


SEQUENCE® 4000



■ 4000 Model 5600SEQ18

Introducing the NEW Sequence® 4000. The new expansive design will meet today's increased market demand for performance on all levels. Peak performance of 5600 Gallons Per Hour while only requiring 290 Watts! Every Sequence® 4000 model is supplied complete with 2" FNPT and buttress thread ports and unions for ease of use. 3 year limited warranty. Made in USA. **Supplied with an 8-foot, 115V cordset.**



*Dimensions and illustrations are approximate and for reference only

Flow At Total Dynamic Head

Model	Max Flow GPH	Max Head Feet	Max Power Watts	Max Current Amps	Flow At Total Dynamic Head					Voltage	Motor Enclosure	
					Flow	4'	8'	12'	16'			19'
5600SEQ18	5600	18.5	290	2.96	GPM	83	72	57	37	8	115	TEFC
					GPH	5000	4300	3400	2200	500		

Sustainable, Efficient

© 2009 SEQUENCE PUMPS A DIVISION OF MDM INC.



 SEQUENCE 5600SEQ18

