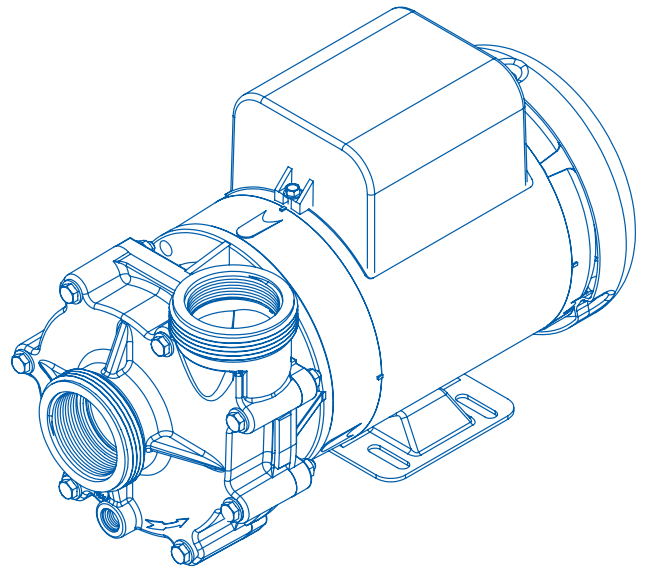
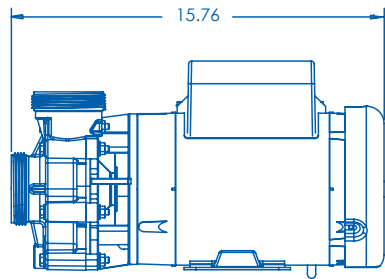
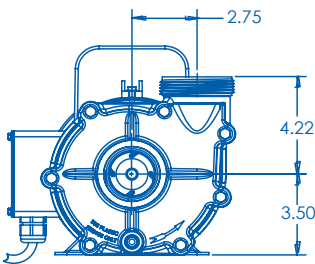


# SEQUENCE® 4000



## ■ 4000 Model 4800SEQ17

Introducing the NEW Sequence® 4000. The new expansive design will meet today's increased market demand for performance on all levels. Peak performance of 4800 Gallons Per Hour while only requiring 262not Watts! Every Sequence® 4000 model is supplied complete with 2" FNPT and buttress thread ports and unions for ease of use. 3 year limited warranty. Made in USA. **Supplied with an 8-foot, 115V cordset.**



\*Dimensions and illustrations are approximate and for reference only

Flow At Total Dynamic Head

Model	Max Flow GPH	Max Head Feet	Max Power Watts	Max Current Amps	Flow At Total Dynamic Head					Voltage	Motor Enclosure	
					Flow	4'	8'	12'	16'			17'
4800SEQ17	4800	17.4	262	2.96	GPM	70	58	44	20	7	115	TEFC
					GPH	4200	3500	2650	1200	400		

**Sustainable, Efficient**

© 2009 SEQUENCE PUMPS A DIVISION OF MDM INC.



# SEQUENCE 4800SE017

