

K3000



Features

- 2,700 GPH @ 1'
- 26' shut-off head
- 3/4" solids handling ability
- 600 Watts
- 1-1/4" FNPT horizontal discharge
- Includes 1-1/2" FNPT x 1-1/4" MNPT elbow
- Light Weight — Only 11 lbs.

Construction

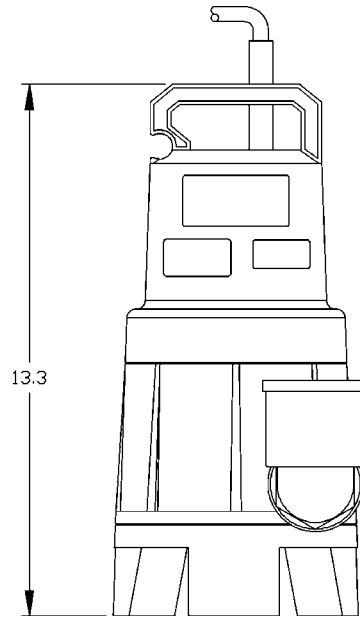
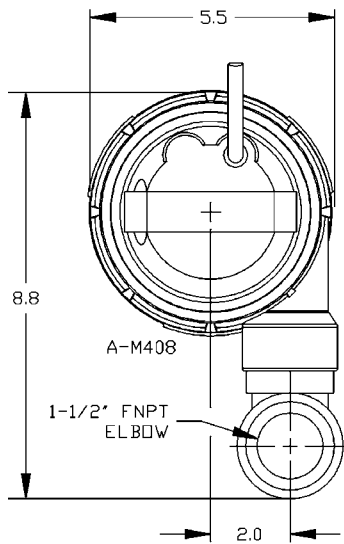
- Motor Housing Material — Polypropylene
- Impeller Material — Nylon
- Impeller Type — Vortex
- 16' Power Cord — SJTW Type
- Shaft Seal — Nitrile
- Hardware — SSTL
- Shaft Material — Ceramic coating 316 SSTL
- Motor Cylinder — 304 SSTL



From the company with the most complete line of pumps in the water gardening industry, Little Giant® is pleased to announce its latest addition of pumps designed specifically for water garden applications.

The new WaterMark™ line of “K Series” pumps features a submersible-only design with the ability to handle solids. Built to handle the needs and tough demands of the professional contractor, the pump has a very efficient oil-less motor protected by a 304 stainless steel cylinder, then housed in a light weight but durable plastic body. The K Series pumps are sure to please the avid water gardening professional and enthusiast.

K3000



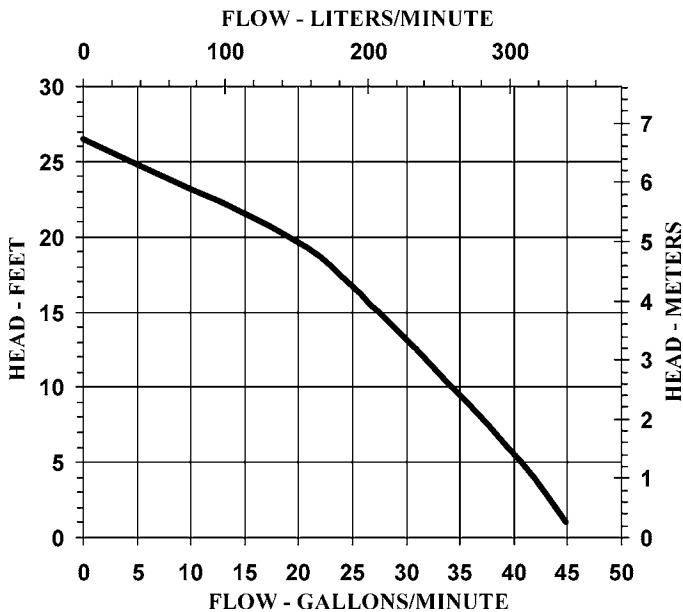
Specifications

Item No.	Discharge Size	Solids Handling	Listing(s)	HP	Volts/Hz	Amps	Watts	Performance - Gallons Per Hour @ Head in Feet					Shut-off (ft)	Pwr. Cord (ft)	Height (in)	Length (in)	Width (in)	Weight (lbs)
								1	5	10	15	20						
14940125	1-1/4" FNPT*	3/4"	cCSAus	1/2	115/60	5.5	600	2700	2440	2050	1650	1150	26	16	13.3	5.5	8.8	11
								Performance - Liters Per Hour @ Head in Meters										
								10220	9236	7760	6245	4353	7.9	4.9	33.8	14	22.4	4.9

Flow rating is with elbow installed.

*1-1/2" FNPT x 1-1/4" MNPT elbow included.

Flow Curve



Flows

Head (ft.)	Flow (GPM)	Head (m)	Flow (LPM)
1	45	0.3	170
5	40.7	1.5	154
10	34.2	3.0	129
15	27.5	4.6	104
20	19.2	6.1	73

WATER MARK™
by Little Giant®

Engineered for Lasting Impressions

PO Box 12010 • Oklahoma City, OK 73157-2010
Phone: 888.271.1368 • Fax: 888.269.8458